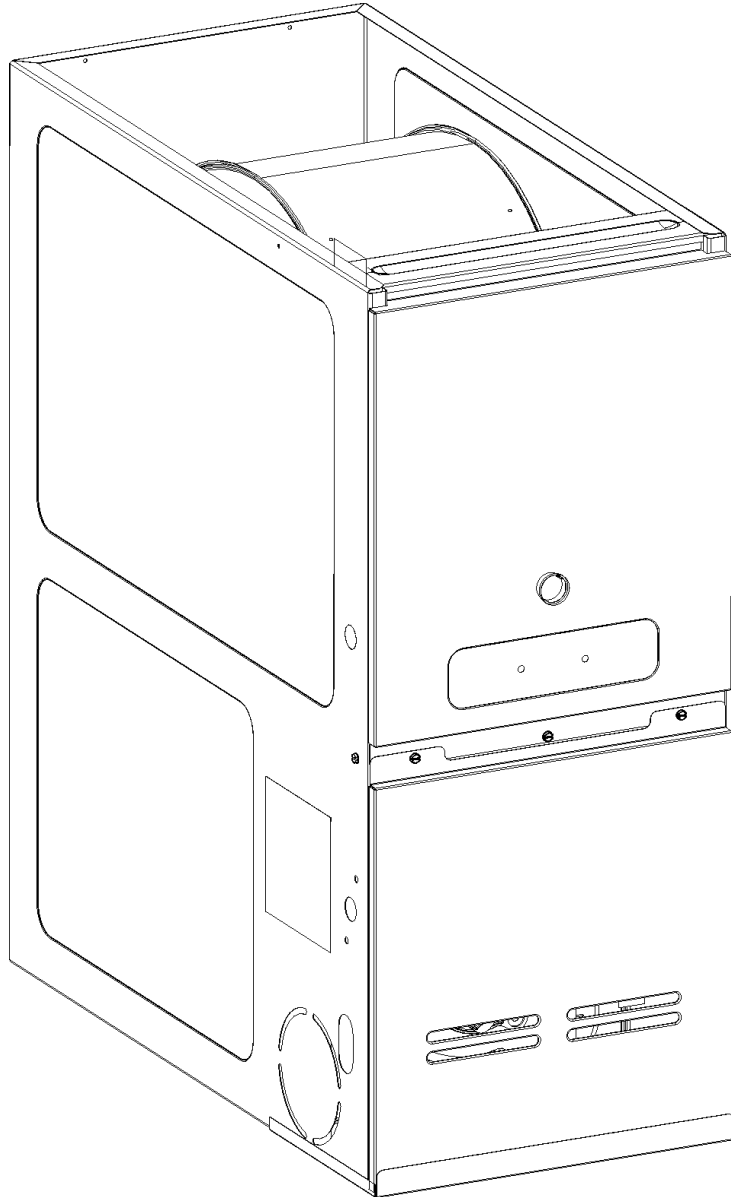


**GDS8\* Down Flow Furnace**

GDS80403ANBC  
GDS80403ANBD  
GDS80403AXBC  
GDS80403AXBD  
GDS80603ANBC  
GDS80603ANBD  
GDS80603AXBC  
GDS80603AXBD  
GDS80804BNBC  
GDS80804BNBD  
GDS80804BXBC  
GDS80804BXBD  
GDS81005CNBC  
GDS81005CNBD  
GDS81005CXBC  
GDS81005CXBD



This manual is to be used by qualified technicians only.

This manual replaces RP-882.

© 2014-2015 Goodman Manufacturing Company, L.P. ♦ 5151 San Felipe St., Suite 500 ♦ Houston, TX 77056

# Important Information

---

## Index

Functional Parts List .....	3
Illustration and Parts .....	4 - 9

*Views shown are for parts illustrations only, not servicing procedures*

### Text Codes:

AR - As Required

NA - Not Available

NS - Not Shown

00000000 - See Note

QTY - Quantity Example (QTY 3) (If Quantity not shown, Quantity = 1)

M - Model Example (M1) (If M Code not shown, then part is used on all Models)

### Expanded Model Nomenclature:

Example M1 - Model#1 M2 - Model#2 M3 - Model#3
---

Goodman Manufacturing Company, L.P. is not responsible for personal injury or property damage resulting from improper service. Review all service information before beginning repairs.

Warranty service must be performed by an authorized technician, using authorized factory parts. If service is required after the warranty expires, Goodman Manufacturing Company, L.P. also recommends contacting an authorized technician and using authorized factory parts.

Goodman Manufacturing Company, L.P. reserves the right to discontinue, or change at any time, specifications or designs without notice or without incurring obligations.

For assistance within the U.S.A. contact:  
Consumer Affairs Department  
Goodman Manufacturing Company, L.P.  
7401 Security Way  
Houston, Texas 77040  
877-254-4729-Telephone  
713-863-2382-Facsimile

For assistance outside the U.S.A. contact:  
International Division  
Goodman Manufacturing Company, L.P.  
7401 Security Way  
Houston, Texas 77040  
713-861-2500-Telephone  
713-863-2382-Facsimile

# Functional Parts

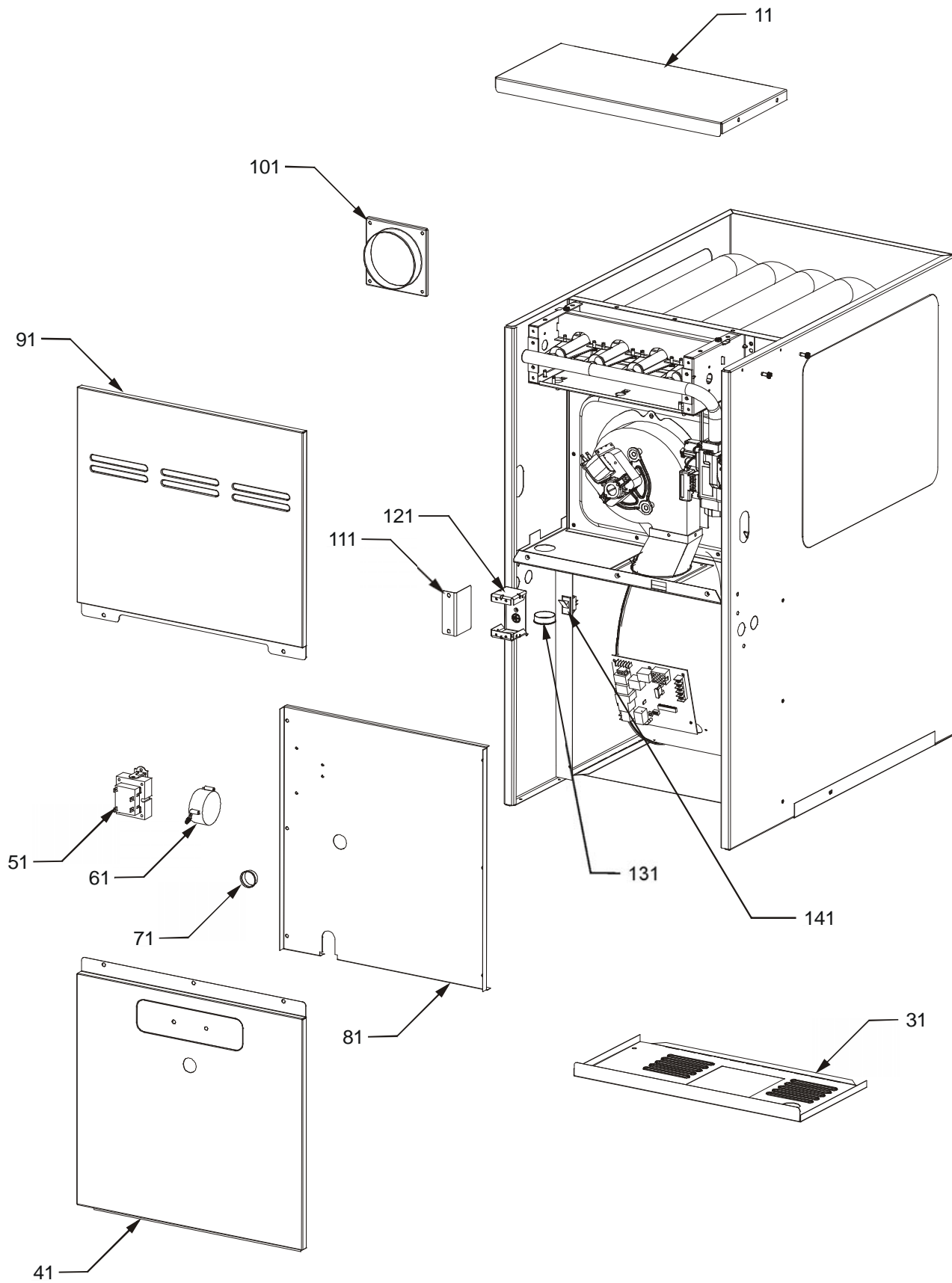
**Part No:**            **Description:**

Part No:	Description:	Expanded Model Nomenclature
0130F00038	AUX LIMIT - LT BLUE 120°	M1 - GDS80403ANBC
0131F00022	BLOWER MOTOR 1/2 HP, 4 SP, 6 PL (M9, M10, M11, M12)	M2 - GDS80403ANBD
20046618	BLOWER MOTOR 3/4 HP (M13, M14, M15, M16)	M3 - GDS80403AXBC
0131F00027	BLOWER MOTOR, 1/3HP, 4SP, 6PL (M1, M2, M3, M4, M5, M6, M7, M8)	M4 - GDS80403AXBD
B1368047	BLOWER WHEEL 10 X 10 (M13, M14, M15, M16)	M5 - GDS80603ANBC
B1368034	BLOWER WHEEL 10 X 6 (M1, M2, M3, M4, M5, M6, M7, M8)	M6 - GDS80603ANBD
B1368016	BLOWER WHEEL 10 X 8 (M9, M10, M11, M12)	M7 - GDS80603AXBC
CAP125000370CP	CAP, 12.5 MFD/370V/ RD (M1, M2, M3, M4, M5, M6, M7, M8)	M8 - GDS80603AXBD
CAP200000370CP	CAP, 20 MFD/370V/ RD (M9, M10, M11, M12)	M9 - GDS80804BNBC
CAP250000370CP	CAP, 25 MFD/370V/ RD (M13, M14, M15, M16)	M10 - GDS80804BNBD
0128F00006	CHIMNEY TRANSITION BOTTOM	M11 - GDS80804BXBC
0130F00010	FLAME SENSOR	M12 - GDS80804BXBD
0151M00037	GAS VALVE	M13 - GDS81005CNBC
0270F03528	HEAT EXCHANGER ASSY (M13, M14, M15, M16)	M14 - GDS81005CNBD
0270F03527	HEAT EXCHANGER ASSY (M9, M10, M11, M12)	M15 - GDS81005CXBC
0270F03526	HEAT EXCHANGER ASSY (M5, M6, M7, M8)	M16 - GDS81005CXBD
0270F03525	HEAT EXCHANGER ASSY (M1, M2, M3, M4)	
PCBBF134	IGNITION BOARD, HSI INTEGRATED (M2, M4, M6, M8, M10, M12, M14, M16)	
PCBBF123S	IGNITION BOARD, HSI INTEGRATED (M1, M3, M5, M7, M9, M11, M13, M15)	
20165703	IGNITOR (M1, M3, M5, M7, M9, M11, M13, M15)	
0130F00008	IGNITOR-SINI 17 SEC (M2, M4, M6, M8, M10, M12, M14, M16)	
10690402	INTERLOCK SWITCH	
10123529	MANUAL RESET R.O.S. LIMIT	
20162901	PRESSURE LIMIT-RED (M13, M14, M15, M16)	
0130F00042	PRESSURE SWITCH (M13, M14, M15, M16)	
B1370142	PRESSURE SWITCH 0.60" WC (M1, M2, M3, M4, M5, M6, M7, M8, M9, M10, M11, M12)	
0130F00036	PRIMARY LIMIT - PINK 180° (M1, M2, M3, M4, M5, M6, M7, M8, M9, M10, M11, M12)	
0130M00139	TRANSFORMER, 40VA,120VTO24V	
0131M00002P	VENT MOTOR	
DY6.186.070	VENT MOTOR CAPACITOR	

**SPECIAL PARTS**

0161F00007            GOODMAN NAMEPLATE

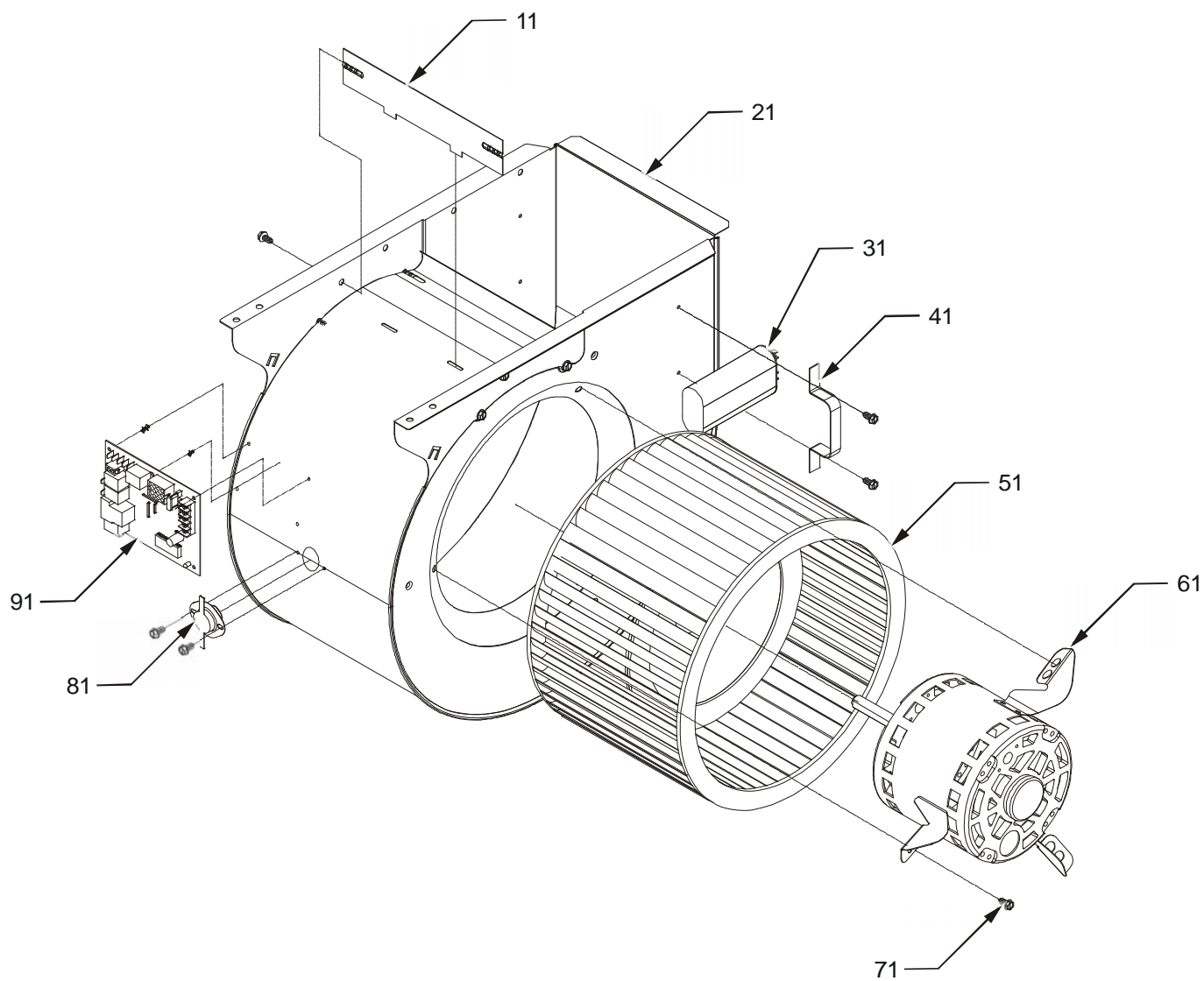
# Cabinet Assy



# Cabinet Assy

Ref. Part No: No:	Description:	Ref. Part No: No:	Description:
<i>Image 1:</i>		<b>Expanded Model Nomenclature</b>	
11	0121F00183DG FURNACE BOTTOM 14" (M1, M2, M3, M4, M5, M6, M7, M8)	M1 - GDS80403ANBC	
11	0121F00190DG FURNACE BOTTOM 17.5" (M9, M10, M11, M12)	M2 - GDS80403ANBD	
11	0121F00191DG FURNACE BOTTOM 21" (M13, M14, M15, M16)	M3 - GDS80403AXBC	
31	0121F00141DG TOP 14" (M1, M2, M3, M4, M5, M6, M7, M8)	M4 - GDS80403AXBD	
31	0121F00142DG TOP 17.5" (M9, M10, M11, M12)	M5 - GDS80603ANBC	
31	0121F00143DG TOP 21" (M13, M14, M15, M16)	M6 - GDS80603ANBD	
41	0121F00122DG BLOWER ACCESS DOOR 14" (M1, M2, M3, M4, M5, M6, M7, M8)	M7 - GDS80603AXBC	
41	0121F00123DG BLOWER ACCESS DOOR 17.5" (M9, M10, M11, M12)	M8 - GDS80603AXBD	
41	0121F00124DG BLOWER ACCESS DOOR 21" (M13, M14, M15, M16)	M9 - GDS80804BNBC	
51	0130M00139 TRANSFORMER, 40VA,120VTO24V	M10 - GDS80804BNBD	
61	0130F00042 PRESSURE SWITCH (M13, M14, M15, M16)	M11 - GDS80804BXBC	
61	B1370142 PRESSURE SWITCH 0.60" WC (M1, M2, M3, M4, M5, M6, M7, M8, M9, M10, M11, M12)	M12 - GDS80804BXBD	
71	B1392139 VIEW PORT BUSHING-BLOWER DOOR	M13 - GDS81005CNBC	
81	0121F00185 INNER BLOWER DOOR 14" (M1, M2, M3, M4, M5, M6, M7, M8)	M14 - GDS81005CNBD	
81	0121F00192 INNER BLOWER DOOR 17.5" (M9, M10, M11, M12)	M15 - GDS81005CXBC	
81	0121F00193 INNER BLOWER DOOR 21" (M13, M14, M15, M16)	M16 - GDS81005CXBD	
91	0121F00118DG CONTROL ACCESS DOOR 14" (M1, M2, M3, M4, M5, M6, M7, M8)		
91	0121F00119DG CONTROL ACCESS DOOR 17.5" (M9, M10, M11, M12)		
91	0121F00120DG CONTROL ACCESS DOOR 21" (M13, M14, M15, M16)		
101	4023500 CHIMNEY TRANSITION TOP		
111	4015502 J-BOX COVER		
121	4014502 J-BOX		
131	0163F00001 UNIVERSAL BUSHING WITH SLICE		
141	10690402 INTERLOCK SWITCH		
NS	0259F00057 ASSY, WIRE HARNESS, 12-PIN		
NS	0161F00007 GOODMAN NAMEPLATE		
NS	0159F00009 IGNITOR WIRE HARNESS ASSY (M1, M3, M5, M7, M9, M11, M13, M15)		
NS	0259F00058 IGNITOR WIRE HARNESS ASSY (M2, M4, M6, M8, M10, M12, M14, M16)		
NS	0259F00059 KIT, WIRE DF		

# Blower Assy



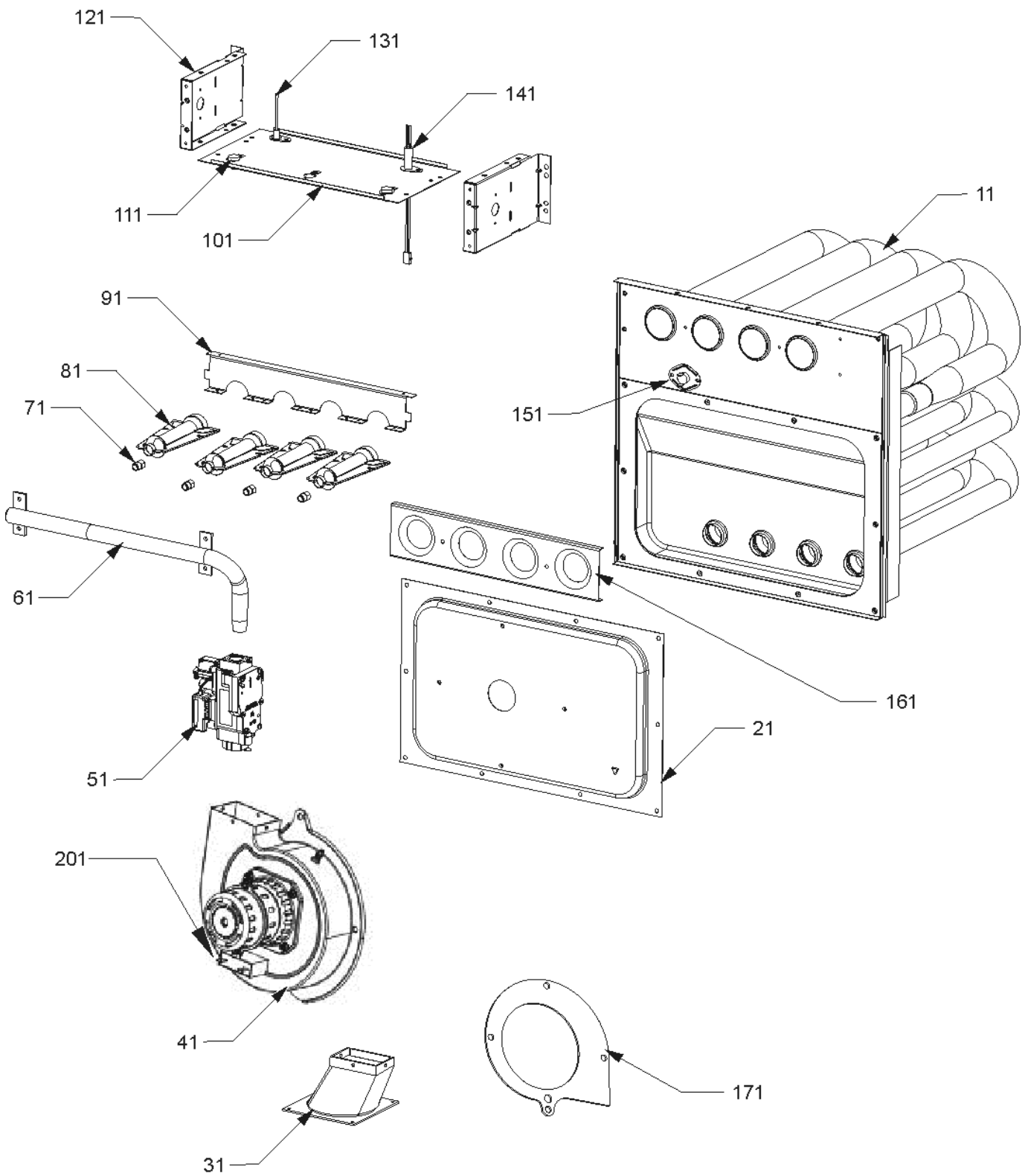
# Blower Assy

Ref. Part No:	No:	Description:	Ref. Part No:	No:	Description:
<b>Image 1:</b>					
11	764741	BLOWER BLOCK-OFF 10 X 10 (M13, M14, M15, M16)			
11	764740	BLOWER BLOCK-OFF 10 X 8 (M9, M10, M11, M12)			
11	764739	BLOWER CUT-OFF 10 X 6 (M1, M2, M3, M4, M5, M6, M7, M8)			
21	2539307	BLOWER HOUSING 10 X 10 (M13, M14, M15, M16)			
21	2539305	BLOWER HOUSING 10 X 6 (M1, M2, M3, M4, M5, M6, M7, M8)			
21	2539306	BLOWER HOUSING 10 X 8 (M9, M10, M11, M12)			
31	CAP125000370CP	CAP, 12.5 MFD/370V/ RD (M1, M2, M3, M4, M5, M6, M7, M8)			
31	CAP200000370CP	CAP, 20 MFD/370V/ RD (M9, M10, M11, M12)			
31	CAP250000370CP	CAP, 25 MFD/370V/ RD (M13, M14, M15, M16)			
41	1284835	CAPACITOR STRAP			
51	B1368047	BLOWER WHEEL 10 X 10 (M13, M14, M15, M16)			
51	B1368034	BLOWER WHEEL 10 X 6 (M1, M2, M3, M4, M5, M6, M7, M8)			
51	B1368016	BLOWER WHEEL 10 X 8 (M9, M10, M11, M12)			
61	0131F00022	BLOWER MOTOR 1/2 HP, 4 SP, 6 PL (M9, M10, M11, M12)			
61	20046618	BLOWER MOTOR 3/4 HP (M13, M14, M15, M16)			
61	0131F00027	BLOWER MOTOR, 1/3HP, 4SP, 6PL (M1, M2, M3, M4, M5, M6, M7, M8)			
71	M0250558	TC SCREW (QTY 3)			
81	0130F00038	AUX LIMIT - LT BLUE 120°			
91	PCBBF123S	IGNITION BOARD, HSI INTEGRATED (M1, M3, M5, M7, M9, M11, M13, M15)			
91	PCBBF134	IGNITION BOARD, HSI INTEGRATED (M2, M4, M6, M8, M10, M12, M14, M16)			
NS	B1393802	SUPPORT, 2-WING BOARD, .187 MT (QTY 4)			
NS	B1393803	SUPPORT, SINGLE-WING BOARD			

## Expanded Model Nomenclature

M1 - GDS80403ANBC
M2 - GDS80403ANBD
M3 - GDS80403AXBC
M4 - GDS80403AXBD
M5 - GDS80603ANBC
M6 - GDS80603ANBD
M7 - GDS80603AXBC
M8 - GDS80603AXBD
M9 - GDS80804BNBC
M10 - GDS80804BNBD
M11 - GDS80804BXBC
M12 - GDS80804BXBD
M13 - GDS81005CNBC
M14 - GDS81005CNBD
M15 - GDS81005CXBC
M16 - GDS81005CXBD

# Heat Exchanger Assy



# Heat Exchanger Assy

Ref. Part No: No:	Description:	Ref. Part No: No:	Description:
<i>Image 1:</i>		<b>Expanded Model Nomenclature</b>	
11	0270F03525	HEAT EXCHANGER ASSY (M1, M2, M3, M4)	M1 - GDS80403ANBC
11	0270F03526	HEAT EXCHANGER ASSY (M5, M6, M7, M8)	M2 - GDS80403ANBD
11	0270F03527	HEAT EXCHANGER ASSY (M9, M10, M11, M12)	M3 - GDS80403AXBC
11	0270F03528	HEAT EXCHANGER ASSY (M13, M14, M15, M16)	M4 - GDS80403AXBD
21	0121F00327	14" COLLECTOR BOX 1.125" DIA (M1, M2, M3, M4)	M5 - GDS80603ANBC
21	0121F00364	14" FLUE COLLECTOR BOX 1.5"DIA (M5, M6, M7, M8)	M6 - GDS80603ANBD
21	0121F00334	21" COLLECTOR BOX 1.625" DIA (M13, M14, M15, M16)	M7 - GDS80603AXBC
21	0121F00128	FLUE COLLECTOR BOX KIT 17.5" 1.75 DIA (M9, M10, M11, M12)	M8 - GDS80603AXBD
31	0128F00006	CHIMNEY TRANSITION BOTTOM	M9 - GDS80804BNBC
41	0131M00002P	VENT MOTOR	M10 - GDS80804BNBD
51	0151M00037	GAS VALVE	M11 - GDS80804BXBC
61	0120F00006	MANIFOLD (M1, M2, M3, M4)	M12 - GDS80804BXBD
61	0120F00007	MANIFOLD (M5, M6, M7, M8)	M13 - GDS81005CNBC
61	0120F00008	MANIFOLD (M9, M10, M11, M12)	M14 - GDS81005CNBD
61	0120F00009	MANIFOLD (M13, M14, M15, M16)	M15 - GDS81005CXBC
71	10716005	ORIFICE (QTY 2)	M16 - GDS81005CXBD
81	B4022700	INSHOT BURNER ASSY 3" (QTY 2)	
91	0121F00167	BURNER BRACKET 2B (M1, M2, M3, M4)	
91	0121F00168	BURNER BRACKET 3B (M5, M6, M7, M8)	
91	0121F00169	BURNER BRACKET 4B (M9, M10, M11, M12)	
91	0121F00170	BURNER BRACKET 5B (M13, M14, M15, M16)	
101	0121F00162	BURNER BOX TOP 2 CELL (M1, M2, M3, M4)	
101	0121F00163	BURNER BOX TOP 3 CELL (M5, M6, M7, M8)	
101	0121F00164	BURNER BOX TOP 4 CELL (M9, M10, M11, M12)	
101	0121F00165	BURNER BOX TOP 5 CELL (M13, M14, M15, M16)	
111	10123529	MANUAL RESET R.O.S. LIMIT	
121	0121F00146	BURNER BOX SIDE (QTY 2)	
131	0130F00010	FLAME SENSOR	
141	20165703	IGNITOR (M1, M3, M5, M7, M9, M11, M13, M15)	
141	0130F00008	IGNITOR-SINI 17 SEC (M2, M4, M6, M8, M10, M12, M14, M16)	
151	20162901	PRESSURE LIMIT-RED (M13, M14, M15, M16)	
151	0130F00036	PRIMARY LIMIT - PINK 180° (M1, M2, M3, M4, M5, M6, M7, M8, M9, M10, M11, M12)	
161	4028000	ORIFICE SHIELD 2 CELL (M1, M2, M3, M4)	
161	4028001	ORIFICE SHIELD 3 CELL (M5, M6, M7, M8)	
161	4028002	ORIFICE SHIELD 4 CELL (M9, M10, M11, M12)	
161	4028003	ORIFICE SHIELD 5 CELL (M13, M14, M15, M16)	
171	0154F00003	VENT MOTOR GASKET 14" (M1, M2, M3, M4, M5, M6, M7, M8)	
171	0154F00004	VENT MOTOR GASKET 17.5" (M9, M10, M11, M12)	
171	0154F00005	VENT MOTOR GASKET 21" (M13, M14, M15, M16)	
201	DY6.186.070	VENT MOTOR CAPACITOR	